

CHL



1-1.8 ton
ENGINE POWERED
FORKLIFT

CHL

1-1.8ton
ENGINE POWERED
FORKLIFT



STANDARD EQUIPMENT

- Hour meter
- Horn
- Oil pressure alarm
- Threespool control valve
- Power steering
- Rubber pedal pad
- Backrest
- Backview mirror
- Front combined lights
- Transmission oil filter
- Engine flameout device
- Parking brake cable
- Water temperature meter
- Attached tools
- Rear combined lights
- Reversing buzzer
- Self-locking tilt valve
- Tilt adjustable steering column
- Overhead guard
- Standard forks
- Central Control Box
- Hydraulic circuit oil filter
- Radiator tank
- Speed-limiting valve
- Oil meter
- Battery-charge indicator
- Wide-view mast
- Intake device
- Durable tire
- Operating handles
- Traction pin
- Standard seat
- Hydraulic oil gauge
- Overhead guard raincoat
- Torque converter oil gauge
- Combined display

OPTIONS

- Cab
- Rotating warning light
- Vertical exhaust
- Double air filter
- Suspension seat
- Extended fork sleeve
- Oil meter
- Heater
- Solid tire
- Widening fork carriage
- Windglass
- Purifying muffler
- Fire muffler
- Fire extinguisher
- Rear lights
- Air conditioning (some models)
- Electro-hydraulic switch
- OPS driving control
- Torque converter oil temperature meter
- Tilt cylinder sleeve
- Steering cylinder sleeve
- User-specific color
- Optional attachments
- Steel protective fences
- Dual tire sand protective devices
- LPG with the flip seat
- LPG single and dual-fuel system
- Power brake
- Side shifter

Manufacturer: **ANHUI HELI CO., LTD.**
 NO.688 Fangxing Street, Eco-nomical Development Zone,
 Hefei, P.R.China
 TEL: 0086-551-63639458
 FAX: (86 551) 6363 9966
 WEBSITE: [HTTP://WWW.CHLFORKLIFT.COM](http://www.chlforklift.com)
 E-MAIL: chl@chiforklift.com

AUTHORIZED DEALER

- Организация: ООО "Корвет-М" Москва
- Фактический адрес (склад, офис, точка самовывоза): Москва, Нагорный пр., д. 7, стр. 1
- Телефон: +7 495 649 64 57
- Email: marketing@kfork.ru
- Официальный сайт: <https://kfork.ru/>

*Details of specifications and equipment are based on information available at the time of printing and may change without notice.

© 2013 heli copyright

Catalog No.2013.1.0 HELI Print

<https://kfork.ru/>



ENGINE POWERED
FORKLIFT

1-1.8 ton

CHL

Reliable forklift

A reliable Drive system



As the most reliable transmission system produced by HELI, it has been validated by over twenty years' experience in World market. Meanwhile, various ancillary devices of the power system ensure the reliability effectively.

- ✓ Durable transmission
- ✓ Equipped with the intake system & intake silencer
- ✓ Optional air filter pressure alarm device
- ✓ Automatic engine preheating system
- ✓ Cydome Air Filter
- ✓ Lost foam casting
- ✓ Various high-power engines are available for customers' optional choices, and the emission meets the latest European & American environmental regulation.

A reliable mast



The high internal-qualified mast confirmedly ensures the safety of the operator, truck and cargo. Standard configuration of the wide-view mast enlarges operators' view effectively, and ensures loading/unloading operations more reliable.

- ✓ Using the best German steel material for triplex mast (option only for triplex mast)
- ✓ The frame of mast has more strength basing on the enlarged channel interface.
- ✓ Clear visibility for standard wide-view mast
- ✓ The channel with own patented technology has the first-rate quality.

A reliable hydraulic system

HELI has the most professional R&D base of cylinders, where we take advantage of the advanced manufacturing technologies and detecting means to ensure the reliability of all cylinders of the hydraulic system.

- ✓ Standard tilt cylinder by HELI
- ✓ Standard lift cylinder by HELI
- ✓ Standard steering cylinder by HELI
- ✓ Self-locking tilt cylinder
- ✓ Standard hydraulic circuit filter
- ✓ Speed buffer device on lifting system



A reliable steering system

The steering system with new technologies not only provides a smoother swerve and faster positioning & steering, but also effectively ensures operators' safety.



- ✓ Wearable tire
- ✓ Smaller turning radius
- ✓ Full hydraulic powersteering

Comfortable operation space

Large operation space with ergonomic-design and configuration ensure the operation more comfortable & convenient, and effectively enhance the efficiency & safety of operation.

- ✓ Filled with noise-reducing and buffer rubber material between bonnet and frameworks
- ✓ Newly patented insulation materials of Bonnet
- ✓ Well-designed non-slip mat
- ✓ Special display with easily reading
- ✓ Standard files packet
- ✓ Exhaust system is flexibly connected with the frame.





ENGINE POWERED
FORKLIFT

1-1.8 ton

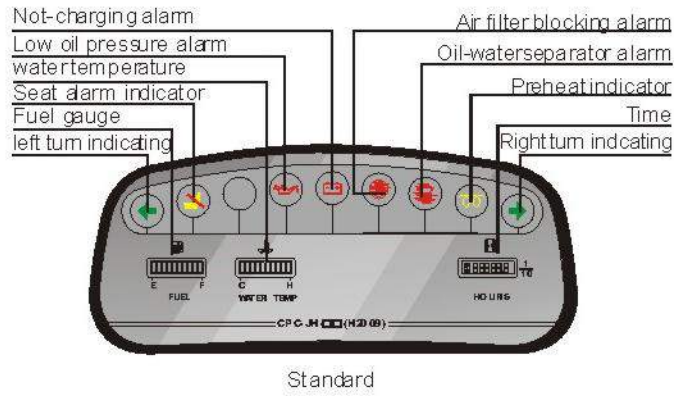


| Manufacturers Data and Design Characteristics | | | | | | | | | | | | | | |
|---|--|---|----------------|----------------|----------------|----------------|----------------|---|----------------|----------------|----------------|----------------|----------------|-----------|
| Characteristics | | | | | | | | | | | | | | |
| 1 | Manufacturer | ANHUI HEUI CO., LTD. | | | | | | | | | | | | |
| 2 | Model | CPC10 | CPCD10 | CPC15 | CPCD15 | CPC18 | CPCD18 | CPQ10 | CPQD10 | CPQ15 | CPQD15 | CPQ18 | CPQD18 | |
| 3 | Power unit | Diesel | | | | | | Gasoline | | | | | | |
| 4 | Rated Capacity | kg | 1000 | 1500 | 1750 | 1000 | 1500 | 1750 | | | | | | |
| 5 | Load Center | mm | 500 | | | | | | | | | | | |
| 6 | Operation | Driver seated | | | | | | | | | | | | |
| Dimensions | | | | | | | | | | | | | | |
| 7 | Overall max lifting height (with backrest) | h4 | mm | 4030 | 4030 | 4030 | 4030 | 4030 | 4030 | 4030 | 4030 | 4030 | 4030 | |
| 8 | Max Lifting height | h3 | mm | 3000 | | | | | | | | | | |
| 9 | Height mast retracted(upright) | h1 | mm | 1995 | 1995 | 1995 | 1995 | 1995 | 1995 | 1995 | 1995 | 1995 | 1995 | |
| 10 | Free lift height | h2 | mm | 152 | 155 | 155 | 152 | 155 | 155 | 152 | 155 | 155 | 152 | |
| 11 | Backrest height(from upper face of forks) | h8 | mm | 1008 | 1005 | 1005 | 1008 | 1005 | 1008 | 1005 | 1005 | 1008 | 1005 | |
| 12 | Overhead Guard clearance(from face of seat) | h7 | mm | 1025 | | | | | | | | | | |
| 13 | Overall height(overhead guard) | h6 | mm | 2070 | 2070 | 2070 | 2070 | 2070 | 2070 | 2070 | 2070 | 2070 | 2070 | |
| 14 | Overall length(with forks) | L1 | mm | 2941 | 3165 | 3213 | 2941 | 3165 | 3213 | 2941 | 3165 | 3213 | 2941 | |
| 15 | Overall length(without forks) | L2 | mm | 2171 | 2245 | 2293 | 2171 | 2245 | 2293 | 2171 | 2245 | 2293 | 2171 | |
| 16 | Front overhang | X | mm | 418 | 421 | 421 | 418 | 421 | 421 | 418 | 421 | 421 | 418 | |
| 17 | Rear overhang | L4 | mm | 350 | 420 | 465 | 350 | 420 | 465 | 350 | 420 | 465 | 350 | |
| 18 | Wheel base | L5 | mm | 1400 | 1400 | 1400 | 1400 | 1400 | 1400 | 1400 | 1400 | 1400 | 1400 | |
| 19 | Coupler height | h5 | mm | 250 | 250 | 250 | 250 | 250 | 250 | 250 | 250 | 250 | 250 | |
| 20 | Min.ground clearance under mast | m1 | mm | 110 | 110 | 110 | 110 | 110 | 110 | 110 | 110 | 110 | 110 | |
| 21 | Overall width | B | mm | 1070 | 1070 | 1070 | 1070 | 1070 | 1070 | 1070 | 1070 | 1070 | 1070 | |
| 22 | Lateral fork adjustment outside of fork(Max./Min.) | S | mm | 950/200 | | | | | | | | | | |
| 23 | Tread(front) | R | mm | 890 | 890 | 920 | 890 | 890 | 890 | 890 | 890 | 890 | 920 | |
| 24 | Tread(rear) | P | mm | 920 | 920 | 920 | 920 | 920 | 920 | 920 | 920 | 920 | 920 | |
| 25 | Outside turning radius | Wa | mm | 1880 | 1955 | 1985 | 1880 | 1955 | 1985 | 1880 | 1955 | 1985 | 1880 | |
| 26 | Inside turning radius | V | mm | 110 | 110 | 95 | 110 | 110 | 95 | 110 | 110 | 95 | 110 | |
| 27 | Min.intersecting aisle | Ra | mm | 1977 | 2052 | 2093 | 1977 | 2052 | 2093 | 1977 | 2052 | 2093 | 1977 | |
| 28 | Tilting angles(forward/backward) | α/β | 6° /12° | | | | | | | | | | | |
| 29 | Fork dimensions(axbxc) | mm | 770 × 100 × 32 | 920 × 100 × 35 | 920 × 100 × 35 | 770 × 100 × 32 | 920 × 100 × 35 | 920 × 100 × 35 | 770 × 100 × 32 | 920 × 100 × 35 | 920 × 100 × 35 | 770 × 100 × 32 | 920 × 100 × 35 | |
| Performance | | | | | | | | | | | | | | |
| 30 | Max. Traveling speeds(With/Without load) | km/h | 13.5/14.5 | | | | | | | | | | | |
| 31 | Lifting Speeds(With/Without load) | mm/s | 590/650 | | | | | | | | | | | |
| 32 | Lowering Speeds(With/Without load) | mm/s | 450/550 | | | | | | | | | | | |
| 33 | Max. Draw-bar pull (With/Without load) | kN | 12.3/7 | 18/7 | 12.3/7 | 18/7 | 12.3/7 | 18/7 | 9.3/6.9 | 14.2/6.9 | 9.3/6.9 | 14.2/6.9 | 9.3/6.9 | 14.2/6.9 |
| 34 | Max. Negotiable Gradient(With/Without load) | % | ≥ 20 | | | | | | 30/22 | 37/22 | 23/18 | 27/18 | 20/17 | 24/17 |
| Weights | | | | | | | | | | | | | | |
| 35 | Service Mass | kg | 2220 | 2660 | 2890 | 2220 | 2660 | 2890 | 2220 | 2660 | 2890 | 2220 | 2660 | 2890 |
| 36 | Load Wheel with load(Front/Rear) | kg | 2830/390 | 3640/520 | 4040/600 | 2830/390 | 3640/520 | 4040/600 | 2830/390 | 3640/520 | 4040/600 | 2830/390 | 3640/520 | 4040/600 |
| 37 | Load Wheel without load(Front/Rear) | kg | 1220/1000 | 1170/1490 | 1140/1750 | 1220/1000 | 1170/1490 | 1140/1750 | 1220/1000 | 1170/1490 | 1140/1750 | 1220/1000 | 1170/1490 | 1140/1750 |
| Tyres | | | | | | | | | | | | | | |
| 38 | Wheels number front/rear(x=driven) | 2X/2 | | | | | | | | | | | | |
| 39 | Tyre Type | Pneumatic | | | | | | | | | | | | |
| 40 | Tyre size(front) | 6.50-10-10PR | | | | | | | | | | | | |
| 41 | Tyre size(rear) | 5.00-8-8PR | | | | | | | | | | | | |
| 42 | Service Brake | Hydraulic-Foot Pedal | | | | | | | | | | | | |
| 43 | Parking Brake | Mechanical-Hand Lever | | | | | | | | | | | | |
| Drive | | | | | | | | | | | | | | |
| 44 | Battery (Voltage/Capacity) | VAh | 12/80 | | | | | | 12/60 | | | | | |
| 45 | Internal Combustion Engine Model | ISUZU C240PKJ | | | | | | NISSAN K15 | | | | | | |
| 46 | Internal Combustion Engine Rated Output | kW/rpm | 35.4/2500 | | | | | | 23.6/2400 | | | | | |
| 47 | Internal Combustion Engine Rated Torque | Nm/rpm | 139.9/1800 | | | | | | 103/1600 | | | | | |
| 48 | Internal Combustion Engine Number of Cylinder | 4-86 × 102 | | | | | | 4-75.5 × 83 | | | | | | |
| 49 | Internal Combustion Engine Displacement | L | 2.369 | | | | | | 1.468 | | | | | |
| 50 | Internal Combustion Engine Fuel Tank Capacity | L | 38 | | | | | | 38 | | | | | |
| 51 | Transmission Number of Speed Fwd/Bwd type | 1-1 Power Shift T/M, 2-2 Manual Shift T/M | | | | | | 1-1 Power Shift T/M, 2-2 Manual Shift T/M | | | | | | |

Engine Model and Main Specification for Option

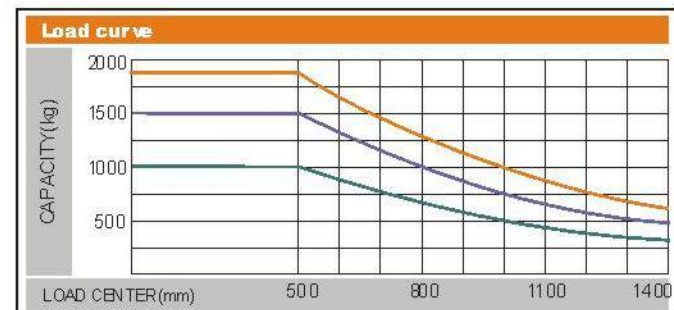
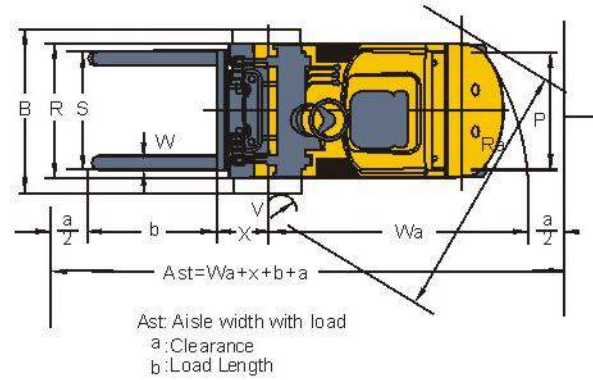
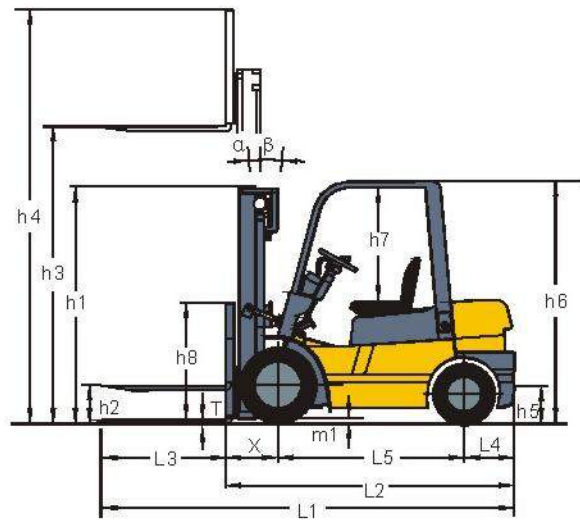
| Engine Model | Rated Power / Rotating Speed (kW/rpm) | Rated Torque / Rotating Speed (Nm/rpm) | Engine Capacity (L) | Number of cylinders | Remark |
|-------------------|---------------------------------------|--|---------------------|---------------------|------------|
| Kubota V2403 | 35.4/2400 | 161.3/1600 | 2.434 | 4 | For 1-1.8t |
| JIAN GUANG HJ49B | 33/2300 | 153/1800 | 2.771 | 4 | For 1-1.8t |
| XINCHANG NC495BPG | 30/2600 | 131/1700~1900 | 2.27 | 4 | For 1-1.8t |

Reliable special designed instrument



The reliable special instrument gives a complete display of the vital information, like operation status, fault detection, etc. It ensures the operator predominate the vehicle status more intuitive and convenient.

- ✓ Stepping motor core
- ✓ Electrical safety standard meets CE requirements



CPC18/CPCD18 / CPQ18/CPQD18
 CPC15/CPCD15 / CPQ15/CPQD15
 CPC10/CPCD10 / CPQ10/CPQD10

Note:
 Capacities shown are computed with upright in vertical position, based on a 1000mm cube load configuration with the center of gravity at the true center of the cube, and standard forks. Truck capacities with upright in forward tilt position will be less. Long forks, an unusually wide or loads may also reduce capacity.

1-1.8t WDE VIEW MAST

| Mast model | Max. fork height (mm) | Capacity at 500mm; Load center (kg) | | | Overall Mast Height (mm) | Tilting Angle | Service Weight (kg) | | |
|------------|-----------------------|--------------------------------------|--------------------------------------|--------------------------------------|--------------------------|---------------|--------------------------------------|--------------------------------------|--------------------------------------|
| | | CPC10/ CPQD10 CPC10/ CPQD10 | CPC15/ CPQD15 CPC15/ CPQD15 | CPC18/ CPQD18 CPC18/ CPQD18 | | | CPC10/ CPQD10 CPC10/ CPQD10 | CPC15/ CPQD15 CPC15/ CPQD15 | CPC18/ CPQD18 CPC18/ CPQD18 |
| M200 | 2000 | 1000 | 1500 | 1750 | 1495 | 6-12 | 2120 | 2530 | 2760 |
| M250 | 2500 | 1000 | 1500 | 1750 | 1745 | 6-12 | 2145 | 2555 | 2785 |
| M300 | 3000 | 1000 | 1500 | 1750 | 1995 | 6-12 | 2220 | 2660 | 2890 |
| M330 | 3300 | 1000 | 1500 | 1750 | 2145 | 6-12 | 2195 | 2605 | 2835 |
| M350 | 3500 | 1000 | 1500 | 1750 | 2245 | 6-12 | 2210 | 2620 | 2850 |
| M370 | 3700 | 1000 | 1500 | 1750 | 2345 | 6-6 6-12 | 2230 | 2640 | 2870 |
| M400 | 4000 | 1000 | 1500 | 1700 *1750 | 2545 | 6-6 6-12 | 2270 | 2680 | 2910 |
| M425 | 4250 | 950 | *1500 *1600 | *1750 *1750 | 2670 | 6-6 6-12 | 2285 | 2695 | 2925 |
| M450 | 4500 | 950 | *1300 *1400 | *1550 *1700 | 2795 | 6-6 6-12 | 2300 | 2710 | 2940 |
| M500 | 5000 | 900 *950 | *1100 *1250 | *1100 *1600 | 3045 | 6-6 6-6 | 2335 | 2745 | 2975 |
| M550 | 5500 | *900 | *1150 | *1500 | 3345 | *3-6 | 2500 | 2910 | 3140 |
| M600 | 6000 | *850 | *1050 | *1400 | 3595 | *3-6 | 2530 | 2940 | 3170 |

- NOTE: (1) For gas, diesel model: +60kg dual wheels weight +110kg.
 (2) *(front wheel) is dual wheels load capacity.
 (3) Rate d capacity with (*): shows capacity with front dual tires.
 (4) Max. lifting height without lift-bracket: 470mm.

1-1.8t WIDE VIEW FULL FREE 2-STAGE MAST

| Mast model | Max. fork height (mm) | Capacity at 500mm; Load center (kg) | | | Overall Mast Height (mm) At Lowered | Free Lift (with Backrest) | Tilting Angle | Service Weight (kg) | | |
|------------|-----------------------|--------------------------------------|--------------------------------------|--------------------------------------|-------------------------------------|---------------------------|---------------|--------------------------------------|--------------------------------------|--------------------------------------|
| | | CPQ10/ CPQD10 CPQ10/ CPQD10 | CPQ15/ CPQD15 CPQ15/ CPQD15 | CPQ18/ CPQD18 CPQ18/ CPQD18 | | | | CPQ10/ CPQD10 CPQ10/ CPQD10 | CPQ15/ CPQD15 CPQ15/ CPQD15 | CPQ18/ CPQD18 CPQ18/ CPQD18 |
| ZM200 | 2000 | 1000 | 1500 | 1750 | 1535 | 520 | 6-12 | 2135 | 2555 | 2795 |
| ZM250 | 2500 | 1000 | 1500 | 1750 | 1745 | 735 | 6-12 | 2195 | 2615 | 2855 |
| ZM300 | 3000 | 1000 | 1500 | 1750 | 1995 | 985 | 6-12 | 2230 | 2650 | 2890 |
| ZM330 | 3300 | 1000 | 1500 | 1750 | 2145 | 1135 | 6-12 | 2250 | 2670 | 2910 |
| ZM350 | 3500 | 1000 | 1500 | 1750 | 2245 | 1235 | 6-12 | 2265 | 2685 | 2925 |
| ZM370 | 3700 | 1000 | 1500 | 1750 | 2370 | 1360 | 6-6 6-12 | 2280 | 2700 | 2940 |
| ZM400 | 4000 | 1000 | 1500 | 1700 *1750 | 2545 | 1535 | 6-6 6-12 | 2330 | 2750 | 2990 |
| ZM425 | 4250 | 950 | *1500 *1600 | *1750 *1750 | 2670 | 1660 | 6-6 6-12 | 2350 | 2770 | 3010 |
| ZM450 | 4500 | 950 | *1300 *1400 | *1550 *1700 | 2795 | 1785 | 6-6 6-12 | 2365 | 2785 | 3025 |
| ZM500 | 5000 | 900 *950 | *1100 *1250 | *1100 *1600 | 3045 | 2035 | 6-6 6-6 | 2400 | 2820 | 3060 |
| ZM550 | 5500 | *900 | *1150 | *1500 | 3345 | 2335 | *3-6 | 2575 | 2995 | 3235 |
| ZM600 | 6000 | *850 | *1050 | *1400 | 3595 | 2635 | *3-6 | 2610 | 3030 | 3270 |

- NOTE: (1) Dual wheels weight: +110kg.
 (2) *(front wheel) is dual wheels load capacity.
 (3) Max. lifting height without bracket: 470mm.
 (4) Free lifting height without bracket: 470mm.
 (5) Rate d capacity with (*): shows capacity with front dual tires.

1-1.8t WIDE VIEW FULL FREE 3-STAGE MAST

| Mast model | Max. fork height (mm) | Capacity at 500mm; Load center (kg) | | | Overall Mast Height (mm) At Lowered | Free Lift (with Backrest) | Tilting Angle | Service Weight (kg) | | |
|------------|-----------------------|--------------------------------------|--------------------------------------|--------------------------------------|-------------------------------------|---------------------------|---------------|--------------------------------------|--------------------------------------|--------------------------------------|
| | | CPQ10/ CPQD10 CPQ10/ CPQD10 | CPQ15/ CPQD15 CPQ15/ CPQD15 | CPQ18/ CPQD18 CPQ18/ CPQD18 | | | | CPQ10/ CPQD10 CPQ10/ CPQD10 | CPQ15/ CPQD15 CPQ15/ CPQD15 | CPQ18/ CPQD18 CPQ18/ CPQD18 |
| ZSM200 | 2000 | 1000 | 1450 | 1750 | 1790 | 780 | 6-6 6-6 | 2275 | 2695 | 2935 |
| ZSM250 | 2500 | 1000 | 1400 | 1600 | 1915 | 910 | 6-6 6-6 | 2300 | 2720 | 2960 |
| ZSM265 | 2650 | 900 *950 | *1350 *1400 | *1600 *1700 | 2040 | 1030 | 6-6 6-6 | 2325 | 2745 | 2985 |
| ZSM280 | 2800 | 900 *950 | *1300 *1350 | *1500 *1600 | 2090 | 1080 | 6-6 6-6 | 2355 | 2750 | 2995 |
| ZSM300 | 3000 | 900 *950 | *1200 *1250 | *1400 *1500 | 2160 | 1150 | 6-6 6-6 | 2365 | 2760 | 3005 |
| ZSM320 | 3200 | 900 *950 | *1100 *1150 | *1300 *1400 | 2190 | 1180 | 6-6 6-6 | 2375 | 2775 | 3010 |
| ZSM350 | 3500 | 900 *950 | *1000 *1050 | *1200 *1300 | 2290 | 1280 | 6-6 6-6 | 2400 | 2780 | 3035 |
| ZSM400 | 4000 | 800 *850 | *900 *950 | *1100 *1200 | 2415 | 1410 | 3-6 3-6 | 2420 | 2815 | 3065 |
| ZSM450 | 4500 | *800 | *850 | *1100 | 2650 | 1640 | *3-6 *3-6 | 2480 | 2875 | 3115 |
| ZSM500 | 5000 | *750 | *800 | *1000 | 2855 | 1845 | *3-6 *3-6 | 2530 | 2925 | 3165 |
| ZSM550 | 5500 | - | - | - | 3025 | 2015 | *3-6 *3-6 | 2580 | 2975 | 3215 |

- NOTE: (1) Dual wheels weight: +110kg.
 (2) *(front wheel) is dual wheels load capacity.
 (3) Max. lifting height without bracket: 470mm.
 (4) Free lifting height without bracket: 470mm.
 (5) Rate d capacity with (*): shows capacity with front dual tires.